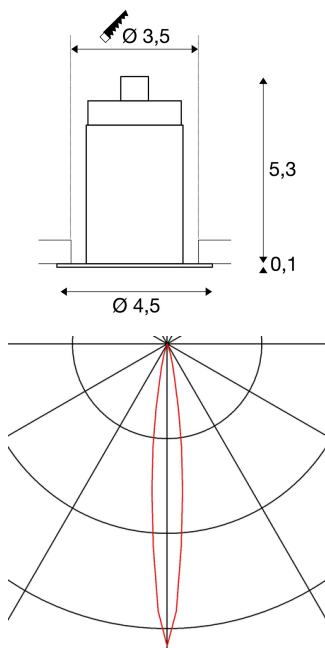


HORN MINI

recessed ceiling light, LED, 3000K, white/black, 12°

The rigid LED HORN MINI recessed spotlight is made using aluminium and is an LED light solution for situations where targeted accent lighting and a low installation depth are required. The warm white 1W power LED ensures the required light intensity. To operate the spotlight, a compatible constant current driver with 350mA is required. This light contains integrated LED light bulbs.



TECHNICAL DATA

Item no.:	1000916
Lamps included	0
Secondary power / secondary voltage	350 mA/V
Height	5.4 cm
Diameter	4.5 cm
Installation diameter	3.5 cm
Installation depth	6.0 cm
Net weight	0.068 kg
Gross weight	0.103 kg
IP Code	IP 20
Safety class	III
Assembly	Recessed
Assembly details	Ceiling, Wall
Wattage	1.2 W
Lumen	70 lm
Colour temperature	3000 Kelvin
Beam angle	12 °
Color	white
CRI	>90
Binning	6
LXXBXX data	70/50
Service life	30000 h

Accessories

111850	MULTIWAY CONNECTOR , 3 outputs with two bridges, black, max. 350mA
464031	TCI LED DRIVER , 15VA, 350mA, incl. strain relief

Notes
