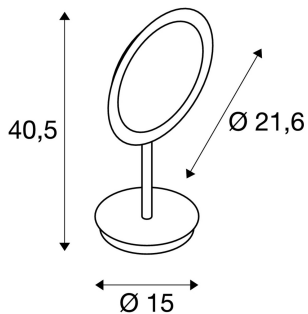




MAGANDA TL

LED table lamp, chrome, IP44, 3000K

The MAGANDA table lamp is equipped with a rotating and swivelling cosmetic mirror with 3x magnification. The integrated LED bulbs create excellent glare-free lighting. The luminaire has a switch as well as a connection lead with mains plug.



TECHNICAL DATA

Item no.:	1001502
Primary nominal voltage	100-240V ~50/60Hz mA/V
Secondary power / secondary voltage	12 mA/V
Vertical tilting range	90 °
Horizontal rotation range	340 °
Height	40.5 cm
Diameter	21.6 cm
Net weight	1.095 kg
Gross weight	1.577 kg
IP Code	IP 44
Safety class	II
Impact resistance class	IK04
Impact resistance	0,5 Joule
Assembly	Mobile
Wattage	4.2 W
Lumen	70 lm
Colour temperature	3000 Kelvin
Color	chrome
CRI	>80
Binning	6
LXXBXX data	70/50
Service life	30000 h



BIG WHITE Page	12
----------------	----

Notes
