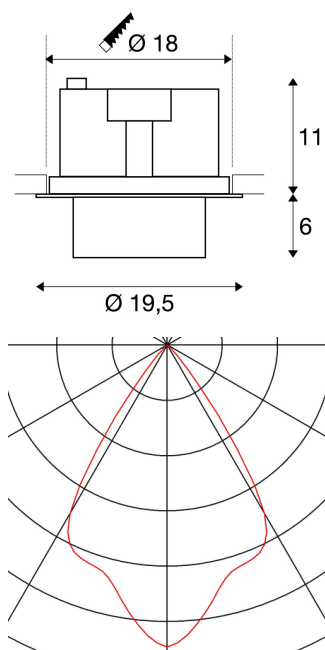




## SUPROS

recessed fitting, LED, 3000K, round, black, 3000lm, 60° reflector, incl. clip springs

The SUPROS light series impresses with its multitude of possible applications, excellent LED technology and its harmonious design. With its very high luminous flux, the SUPROS product family is ideally suited to replace power-hungry, conventional lighting installations. The wide-area reflector included in the delivers can be replaced by reflectors with narrower beam angles which are optionally available. This can be done without the need for tools. With the factory-installed LED driver, all the luminaires in the series are suitable for direct connection to the 230V mains supply.



## TECHNICAL DATA

Item no.:	114120
Lamps included	0
Primary nominal voltage	220-240V ~50/60Hz mA/V
Secondary power / secondary voltage	750 mA/V
Vertical tilting range	60 °
Horizontal rotation range	350 °
Height	17.0 cm
Diameter	19.5 cm
Installation diameter	18.0 cm
Installation depth	11.5 cm
Net weight	1.603 kg
Gross weight	1.773 kg
IP Code	IP 20
Safety class	II
Assembly	Recessed
Assembly details	Ceiling
Wattage	31.0 W
Lumen	2600 lm
Colour temperature	3000 Kelvin
Beam angle	60 °
Color	black
CRI	>80

## Accessories

114102	REFLECTOR , for SUPROS, 20°, incl. glass and fixing ring
114104	REFLECTOR , for SUPROS, 40°, incl. glass and fixing ring

Binning	3
LXXBXX data	70/50
Service life	50000 h
BIG WHITE Page	507

## Notes

---



---



---



---



---