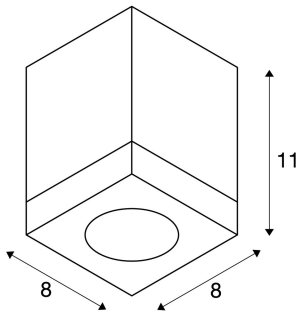




TIGLA recessed fitting

QPAR51, square, brushed aluminium, with frosted acrylic, max. 50W

The TIGLA high-voltage recessed fitting is made from aluminium and is suitable for the use of GU10 halogen as well as for the retrofitting of appropriate LED lamps. The housing contains an acrylic cover which allows colour distinction by indirect illumination. The TIGLA ROUND is supplied ready for direct connection to 230V mains supply.



TECHNICAL DATA

Item no.:	114740
Socket	GU10
Lamp	QPAR51
Number of sockets	1
Lamps included	0
Primary nominal voltage	230V ~50Hz mA/V
Length	8.0 cm
Width	8.0 cm
Height	11.0 cm
Net weight	0.341 kg
Gross weight	0.397 kg
IP Code	IP 20
Safety class	I
Assembly	Surface
Assembly details	Ceiling
Wattage	50.0 W
Color	aluminium

Recommended lamp

1001918	VALETO® LED lamp , GU10, 2700-6500K, 48°, 5.1W
1005075	LED lightbulb QPAR51 , GU10, 2700K, grey

Notes
