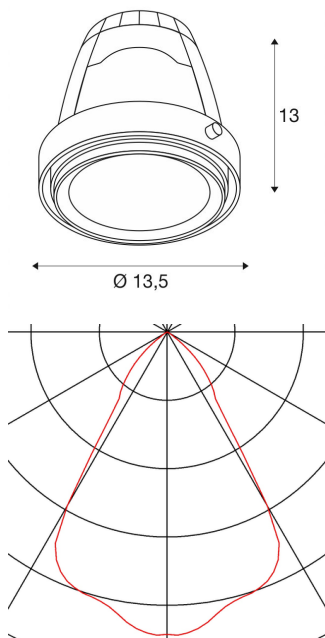




COB LED-MODULE

for AIXLIGHT PRO installation frame, 3000K, white, 70°

The COB LED Module was designed specifically for use in AIXLIGHT PRO installation frame. The warm white COB LED module is available in matt white or silver grey, and in various beam angles. Operation requires an LED driver with a constant current of 700mA, 1000mA, or 1050mA. Not suitable for flat installation frames.



TECHNICAL DATA

Item no.:	115187
Height	13.0 cm
Diameter	13.5 cm
Net weight	0.523 kg
Gross weight	0.658 kg
IP Code	IP 20
Assembly	Recessed
Assembly details	Ceiling with Acc.
Lumen	3500 lm
Colour temperature	3000 Kelvin
Beam angle	70 °
Color	white
CRI	>80

Accessories

1001267	LED driver , 700mA, 40W, TRIAC dimmable
464032	TCI LED DRIVER , 50VA, 350-1050mA, dip switch, incl. strain relief, DALI dimmable
464168	LED DRIVER , 40W, 700mA, incl. strain relief
464170	LED DRIVER , 40W, 1000mA, incl. strain relief
464174	LED DRIVER , 40W, 700mA, incl. strain relief, dimmable
464176	LED DRIVER , 40W, 1000mA, incl. strain relief, dimmable
464804	LED DRIVER , 40W, 1050mA, triac dimmable

Notes
