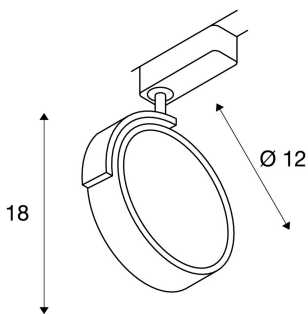




## KALU TRACK

spot for 240V 1-phase track, QR111, matt black, max. 50W, incl. 1-phase adapter

Adjustable spot KALU TRACK with suitable adapter for the 240V 1-phase track system. Conceived as an extension to the popular KALU series, this track spot takes on the shape of the product family. By means of the combination of track adapter and transformer, the operation of low-voltage light sources on a high-voltage track is ensured. To meet all lighting requirements, we alternatively offer versions with G53 socket and such with incorporated Philips LED modules for the 1- and 3-phase systems.



## TECHNICAL DATA

Item no.:	143460
Socket	G53
Lamp	QR111
Number of sockets	1
Lamps included	0
Primary nominal voltage	220-240V ~50/60Hz mA/V
Tilt range	90 °
Horizontal rotation range	350 °
Height	18.0 cm
Diameter	12.0 cm
Net weight	0.296 kg
Gross weight	0.426 kg
IP Code	IP 20
Safety class	II
Assembly	Surface
Assembly details	Ceiling, Track Ceiling, Wall
Wattage	50.0 W
Color	black

## Recommended lamp

560233	PHILIPS MASTER LED AR111 , CRI90, 15W, 24°, 3000K, dimmable
560634	LED QR111 G53 , lamp, 13°, white, 4000K, 720lm

## Notes

---

---

---

---

---