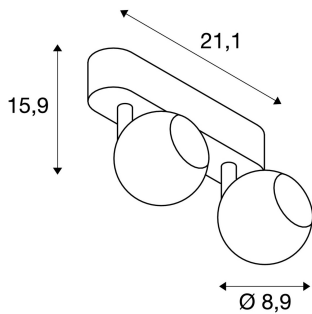




LIGHT EYE 2 wall and ceiling light

double-headed, QPAR51, black/chrome, max. 100 W

The popular design of LIGHT EYE framed into a compact wall and ceiling light. Available in several colour versions the luminaire is available with either one or two light outputs. The lamp head is adjustable and mounted directly to the ceiling plate. Designed for GU10 halogen or retrofit LED lamps LIGHT EYE 2 is ready for direct connection to 230V mains supply.



TECHNICAL DATA

Item no.:	149070
Socket	GU10
Lamp	QPAR51
Number of sockets	2
Lamps included	0
Primary nominal voltage	220-240V ~50/60Hz mA/V
Tilt range	100 °
Horizontal rotation range	350 °
Length	21.1 cm
Width	8.9 cm
Height	15.9 cm
Net weight	0.656 kg
Gross weight	0.798 kg
IP Code	IP 20
Safety class	I
Assembly	Surface
Assembly details	Ceiling, Wall
Wattage	50.0 W
Color	black
BIG WHITE Page	291

Recommended lamp

1005079	LED lightbulb QPAR51 , GU10, 3000K, white
560122	MASTER LED GU10 , Philips, 3.5W, 40°, 2700K, dimmable

Accessories

151040	DECO RING for LIGHT EYE , 51 mm, black
151041	DECO RING for LIGHT EYE , 51 mm, white
151049	DECO RING for LIGHT EYE , 51 mm, chrome

Notes
