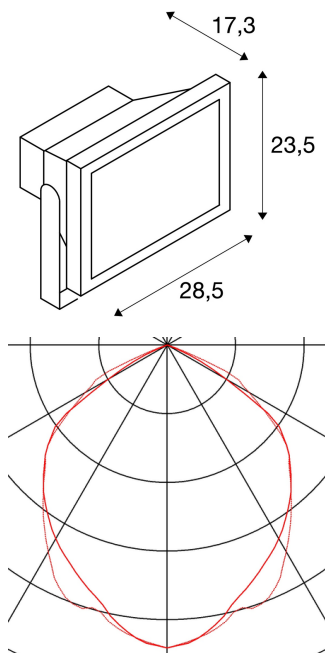




OUTDOOR BEAM

outdoor façade light, LED, 3000K IP65, silver-grey, 100°, 56W

Powerful OUTDOOR BEAM spot for illuminating areas and spaces. With a tiltable installation bracket and protection class IP65, the spot is suitable for outdoor installation on the wall, ceiling or on the floor. The electrical connection of the spot, which is available in warm white and neutral white, is made directly by the built-in driver and the connection lead with mains plug to the 230V mains supply. A wall bracket is available as an option for simplified wall installation.



TECHNICAL DATA

Item no.:	231122
Lamps included	0
Primary nominal voltage	230V ~50Hz mA/V
Vertical tilting range	90 °
Length	28.5 cm
Width	17.3 cm
Height	23.5 cm
Net weight	3.298 kg
Gross weight	3.682 kg
IP Code	IP 65
Safety class	I
Impact resistance class	IK04
Impact resistance	0,5 Joule
Assembly	Surface
Assembly details	Ceiling, Ground, Wall
Wattage	56.0 W
Lumen	4500 lm
Colour temperature	3000 Kelvin
Beam angle	100 °
Color	grey
CRI	>70
LXXBXX data	70/50

Service life	30000 h
Ambient temperature	40 °C

Accessories

234344	WALL MOUNTING BRACKET , for OUTDOOR BEAM and MILOX, silver, 50 cm
234354	WALL MOUNTING BRACKET , for OUTDOOR BEAM and MILOX, silver, 80 cm

Notes
