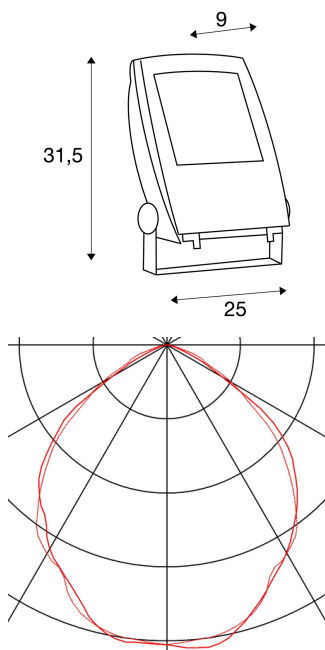




## FLOOD LIGHT

outdoor façade light, LED, 3000K IP65, matt black, 100°, 36W

Powerful FLOOD LIGHT spot for illuminating areas and spaces. With a tiltable installation bracket and protection class IP65, the spot is suitable for outdoor installation on the wall, ceiling or on the floor. The electrical connection of the spot, which is available in warm white and neutral white, is made directly by the built-in driver and the connection lead with mains plug to the 230V mains supply. An earth spike is available as an option for simplified floor installation.



## TECHNICAL DATA

Item no.:	231162
Lamps included	0
Primary nominal voltage	230V ~50Hz mA/V
Vertical tilting range	180 °
Length	25.0 cm
Width	9.0 cm
Height	31.5 cm
Net weight	2.777 kg
Gross weight	3.066 kg
IP Code	IP 65
Safety class	I
Impact resistance class	IK04
Impact resistance	0,5 Joule
Assembly	Surface
Assembly details	Ceiling, Ground, Wall
Wattage	36.0 W
Lumen	2100 lm
Colour temperature	3000 Kelvin
Beam angle	100 °
Color	black
CRI	>70
LXXBXX data	70/50

Service life	30000 h
Ambient temperature	40 °C

## Accessories

234340	Wall bracket , for Outdoor Beam and MILOX floodlight, black, 50cm
234350	WALL BRACKET , for SPOODI 15/20/31, black, 80 cm
900011	PLASTIC EARTH SPIKE , black, length 17.5cm

## Notes

---

---

---

---

---