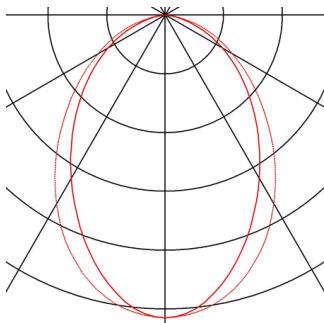
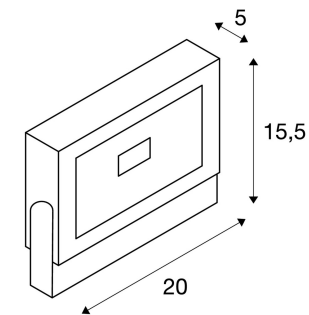




SPOODI 20

outdoor spot, LED, 3000K, IP55, square, black, max. 28W

Powerful LED spot SPOODI 20 for illuminating areas and spaces. With a tiltable installation bracket and protection class IP55, the spot is suitable for outdoor installation on the wall or on the floor. By means of the incorporated driver and connection lead with mains plug, the spot supplied ready for direct connection to 230V mains supply.



TECHNICAL DATA

Item no.:	232820
Lamps included	0
Primary nominal voltage	230V ~50Hz mA/V
Vertical tilting range	180 °
Length	20.0 cm
Width	5.0 cm
Height	15.5 cm
Net weight	1.526 kg
Gross weight	1.723 kg
IP Code	IP 55
Safety class	I
Impact resistance class	IK04
Impact resistance	0,5 Joule
Assembly	Surface
Assembly details	Ceiling, Ground, Wall
Wattage	30.0 W
Lumen	2365 lm
Colour temperature	3000 Kelvin
Beam angle	80 °
Color	black
CRI	>80
Binning	6

Accessories

234340	Wall bracket , for Outdoor Beam and MILOX floodlight, black, 50cm
234350	WALL BRACKET , for SPOODI 15/20/31, black, 80 cm
900011	PLASTIC EARTH SPIKE , black, length 17.5cm

LXXBXX data	70/50
Service life	30000 h
BIG WHITE Page	601

Notes
